

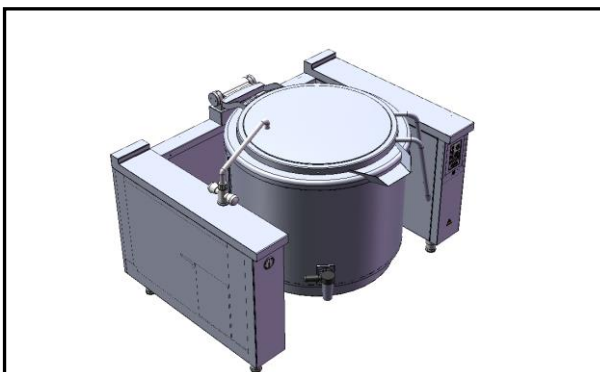


Total Food-Service Solutions

Modular Cooking –Tilting & Boiling Pan

Electric Indirect Boiling Pan

NEBP 250 TC IND



*Due to routine technical improvement, the photograph shown may not represent the latest design of the products.

AVAILABLE MODEL

1. NEBP 250 TC IND

DESCRIPTION

Electric Boiling Pan Indirect with 30 kW power rate. Liquid temperature maintained by thermostat with maximum working temperature of 105°C. Featuring removable clip joint to connect between multiple Tilting Boiling Pans family.

ITEM# : _____

MODEL# : _____

NAME : _____

SN : _____

MAIN FEATURE

- Maximum working temperature of 105°C.
- Maximum Working Pressure 0.55 bar.
- Electronic touch control of time, energy and temperature.
- Quick Boiling Pan, in accordance with DIN 18855-1
- Indirect Heating with double jacket for more uniform heating and efficient energy.
- Frontal manometer display.
- Hinge closing/opening of lid.
- Service maintenance can be done from the front panel.
- Water knob and faucet to refill hot or cold water in the pan Included.
- Double layered lid with seamless welding.

CONSTRUCTION

- All exterior panels in 304 type of Stainless Steel
- Orbital top panel anti-scratch finishing.
- 2 mm SS 304 Boiling Pan inner sleeve with level indicator.
- 2 mm SS 316 Boiling Pan inner bottom.
- United Internal Frame with 3.0 mm of SS 304.
- Top panel with 2.0 mm of SS 304.
- Side panel with 1.0 mm of SS 304.
- Adjustable ±25 mm Stainless Steel leg.
- IPX5 protection.

INCLUDED ACCESSORIES

- 1 bar manometer.

OPTIONAL ACCESSORIES

- Volume measuring stick.
- Drain cock filter.
- Plinth.

: _____

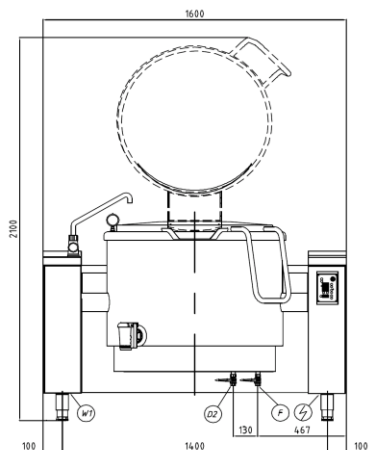
The company reserves the right to make modifications to the products without prior notice. All information correct at time of printing.

2018.01.02

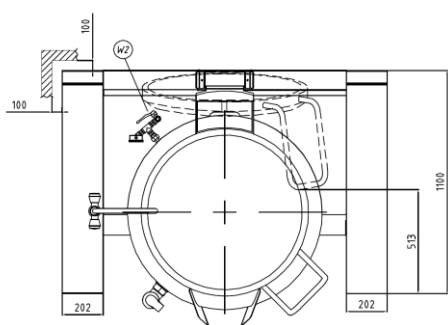


Modular Cooking –Tilting & Boiling Pan
Electric Indirect Boiling Pan
NEBP 250TC IND

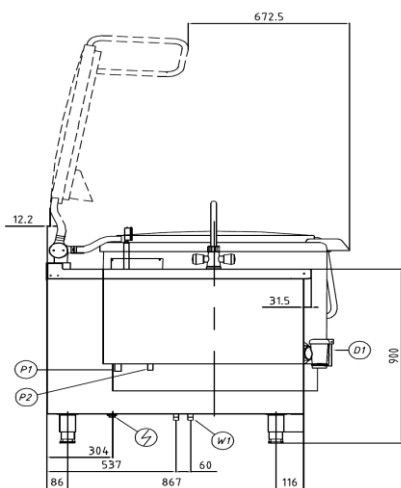
FRONT



TOP



SIDE



* Overall Dimension inmm

ELECTRIC

Electrical rating (kW)	:	36
Element rating (kW)	:	36
Electrical supply voltage	:	400V 3N
Required electrical supply (amps):		55
Electrical current split (amps) :		L1: 55
		L2: 55
		L3: 55

KEY INFORMATION

Cooking surface	:	Ø 780 mm
Min. working temperature	:	-
Max. working temperature	:	105°C
Direct heat emission	:	1.26 kW
Latent heat emission	:	7.20 kW
Steam emission	:	10.58 kg / h
Water inlet	:	1/2"
Drain connection	:	2"
Volume distilled water	:	± 40 liters
Pan capacity	:	250 liters
Safety pressure	:	0.6 bar
Working pressure	:	0.5 bar
Net weight	:	393 kg
Gross weight	:	563 kg
Shipping height	:	
Shipping width	:	
Shipping depth	:	
Shipping volume	:	